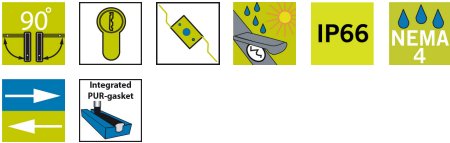


## VISION SWING HANDLE RC2



Low profile swing handle used for latching systems with a control mechanism and flat rods. Approved according to the anti-vandal classification RC2. Optional saw protection available for protection beyond RC2 requirements.

It is used with a 40 mm profile cylinder (ordered separately). Equipped with sliding dust cover and sealed IP66.



### MATÉRIAU

**Dish:** Zinc die cast, black coated

**Poignée:** Zinc die cast, black coated

**Pivot shaft:** Acier inoxydable 316

**Cache-poussière:** Glass fibre reinforced polyamide (PA6GF30)

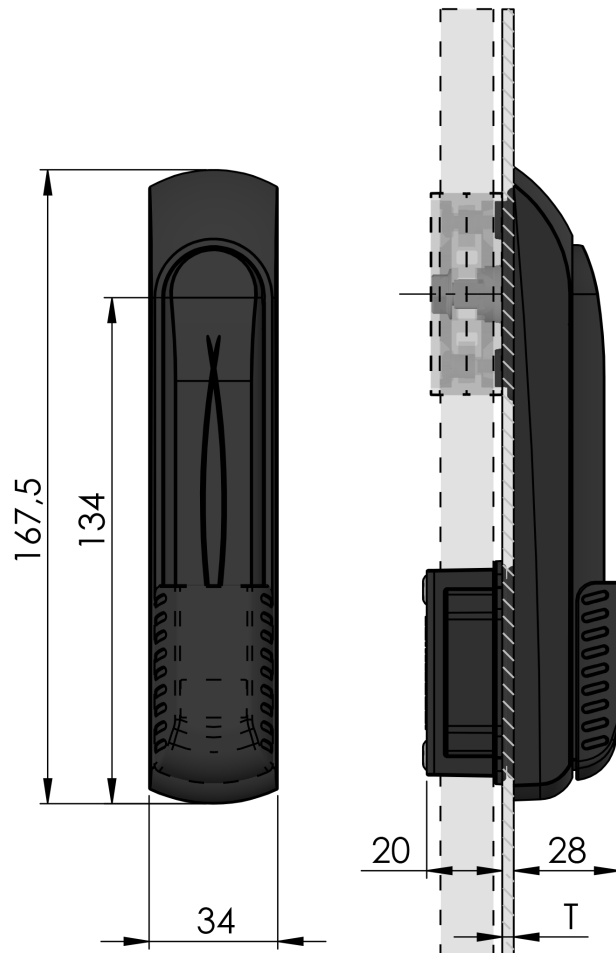
**O-ring:** NBR

### RELATED PRODUCTS

**Cylinders:** 1-210, 1-211

**Similar products:** 1-004.14

Use the Index Code at [industrilas.com](http://industrilas.com)



**Industrilas**  
— When access counts —

**Make your selections in each column to create your article number (AAAA-BBCCDE-FF)**

AAAA Type	BB Insert / Cylindre	CC Matériau / Traitement de surface	D Degré de protection	E Épaisseur de porte	FF Burglar protection
1540 Poignée pour le mécanisme de commande	83 Pour cylindre profilé	16 Zinc die cast, black texture powder coated	5 IP66	1 0,8 - 1,5 mm	01 RC2
		26 Zinc die cast, black texture powder coated, Highlander		2 1,6 - 2,5 mm	02 RC2 + saw protection
				3 2,6 - 3,5 mm	

Version C

